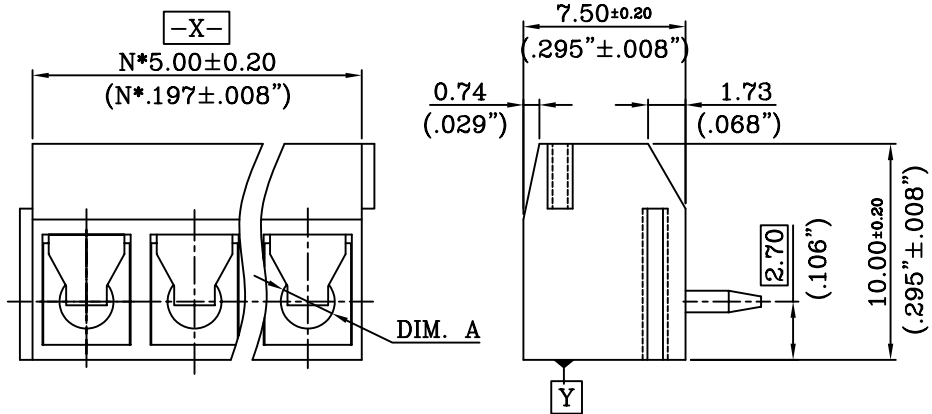
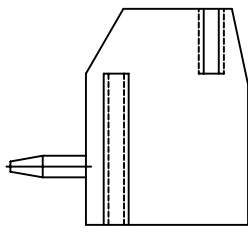
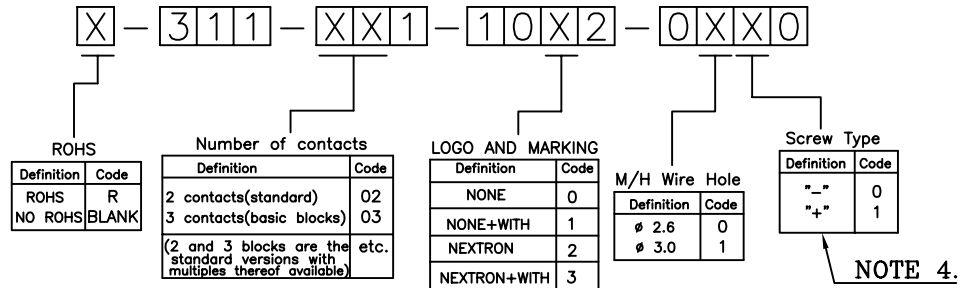
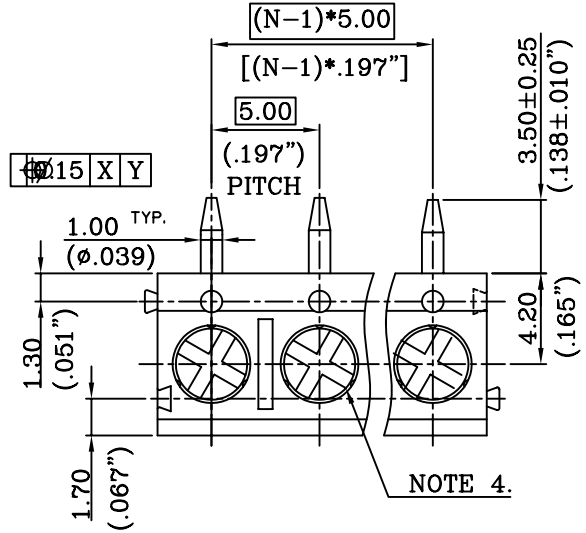


NOTES:

- ALL DIMENSIONS ARE IN MMS, WITH INCH IN PARENTHESIS.
- RECOMMENDED PC-BOARD-HOLDS DIAMETER:
 $\phi 1.20\text{mm}$ to 1.40mm ($\phi 0.047''$ to $\phi 0.055''$).
- N=NUMBER OF CONTACTS.
- SCREW TYPE : "-" OR "+".
- MATERIAL:
 - HOUSING: NYLON.
 - METAL PART: BRASS, PLATING: Tin.
 - MATEL PLATE: STAINLESS STEEL.
 - SCREW: STELL, PLATING: Zinc.
- WIRE RANGE: 14-22 AWG.
- ROHS Directive compliance.
 (Lead-Free)Wave solder capable
 to 265°C , $10 \pm 0.5\text{sec}$.



DESIGN UNITS <input checked="" type="checkbox"/> mm <input type="checkbox"/> INCH	NAME: T/B 311 SERIES 5.0 Pitch	NEXTRONICS ENGINEERING CORP.
GENERAL TOLERANCES: (UNLESS SPECIFIED)	PART NO: SEE TABLE	
4 PLACE ± .*** ± .***	APPD:	DWG. NO: 010-0000-293
3 PLACE ± .*** ± .***	CHKD:	SCALE: SHEET: REV.: 4 / 1 1 / 1 B
2 PLACE ± 0.20 ± .***	DRAWN: 肖海洋 5/25.06	
1 PLACE ± 0.15 ± .***		
ANGULAR: X° ± .*** X' ± .***		

REV.	ECN. NO.	DESCRIPTION	DATE	DRAWN	APPD