

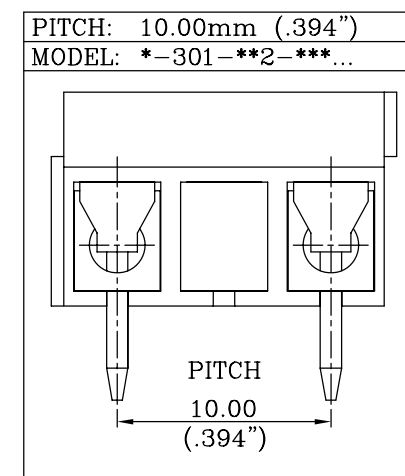
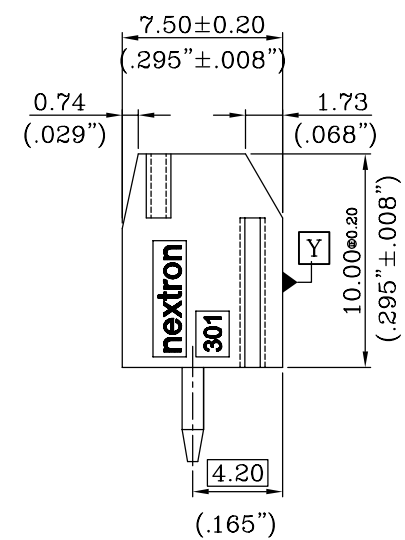
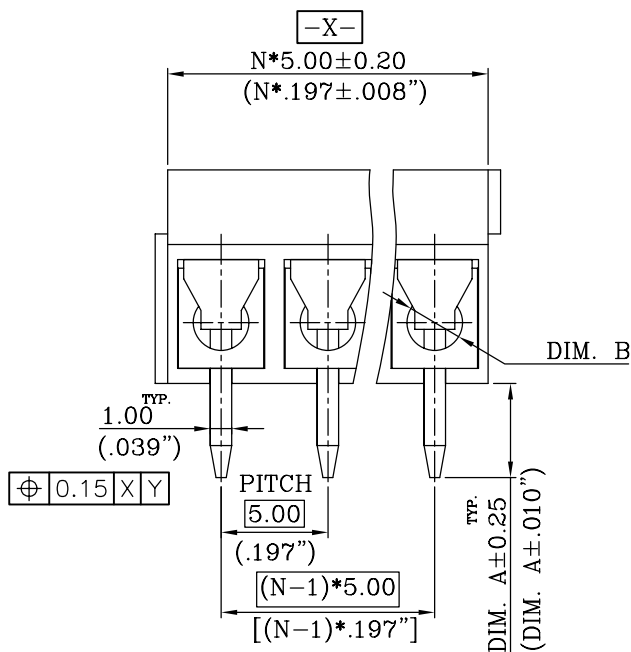
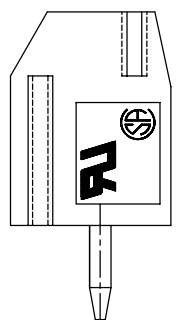
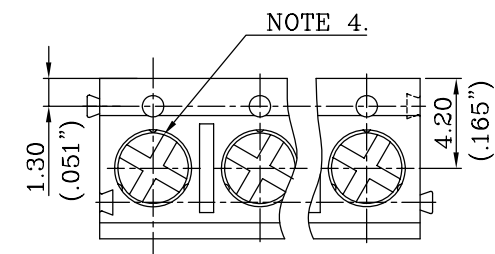
NOTES:

- ALL DIMENSIONS ARE IN MMS, WITH INCH IN PARENTHESIS.
- RECOMMENDED PC-BOARD-HOLDS DIAMETER:
 $\phi 1.20\text{mm}$ to 1.40mm ; ($\phi 0.047''$ to $\phi 0.055''$).
- N=NUMBER OF CONTACTS.
- SCREW TYPE : "-" OR "+". PLATING NI OR ZINC
- MATERIAL:
 - HOUSING: NYLON.
 - METAL PART: BRASS, PLATING: SnPb.
 - MATEL PLATE: STAINLESS STEEL.
 - SCREW: STELL, PLATING: Zinc.
- WIRE RANGE: 14-22 AWG.
- ROHS Directive compliance.
 (Lead-Free)Wave solder capable
 to 260°C , $10\text{sec} \pm 0.5\text{sec}$.

X - 301 - XXX - XXX2 - XXX0

ROHS		Number of contacts		Pitch (Pin Spacing)		PIN LENGTH		Screw Type	
Definition	Code	Definition	Code	Definition	Code	Definition	Code	Definition	Code
ROHS	R	2 contacts(standard)	02	5.00mm/.197"	1	4.5 mm	1	-* plating Zinc	2
NO ROHS	BLANK	3 contacts(basic blocks)	03	10.00mm/.394"	2	3.5 mm	3	+* plating Zinc	3
		(2 and 3 blocks are the standard versions with multiples thereof available)		etc.		3.0 mm	4		

Wire Guard		Color		LOGO AND MARKING		M/H Wire Hole	
Definition	Code	Definition	Code	Definition	Code	Definition	Code
No Wire Guard	0	Black	0	NO LOGO	0	$\phi 2.6$	0
With Wire Guard	1	Blue	6	NEXTRON	2	$\phi 3.0$	1
		Grey	8	(markings available are: 1 to 100 or A to Z or custom specified)			
		White	9				



3.0; (.138")	
3.5; (.118")	3.0; (.118")
4.5; (.177")	2.6; (.102")
DIM. A	DIM. B

REV.	ECN. NO.	DESCRIPTION	DATE	DRAWN	APPD

DESIGN UNITS <input checked="" type="checkbox"/> mm <input type="checkbox"/> INCH	NAME: T/B 301 SERIES 5.0 Pitch	NEXTRONICS ENGINEERING CORP. TITLE: ASSEMBLY DWG. C
GENERAL TOLERANCES: (UNLESS SPECIFIED)	PART NO: SEE TABLE	
4 PLACE ± .*** ± .***	APPD: Alan Su 5/25.06	DWG. NO: 010-0000-280
3 PLACE ± .*** ± .***	CHKD: 羅旋 5/25.06	SCALE: SHEET: REV.: 4 / 1 1 / 1 C
2 PLACE ± 0.20 ± .***	DRAWN: 肖海洋 5/25.06	
1 PLACE ± 0.30 ± .***		
ANGULAR: X° ± .*** X° ± .***		